

MQ

7.0 * 5.0 * 1.3 mm

Surface Mount

4 poles in one package

Fund.

21.4
MHz

21.7
MHz

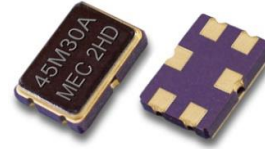
45.0
MHz

2 poles

4 poles

Features

- Specifically designed for mobile, wireless communications pagers, cellular and cordless phones.



Surface Mount Type [Q series (21.400 , 21.700 , 45.000 MHz)]

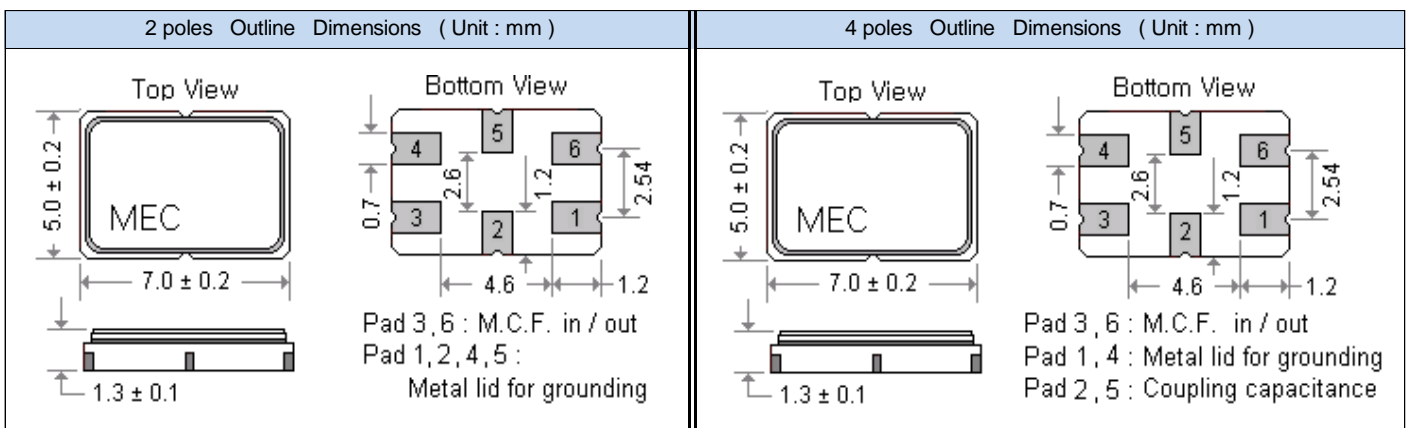
Frequency (MHz)	Model	No. of poles	Pass Bandwidth		Stop Bandwidth		Ripple	Insertion Loss	Guaranteed Attenuation		Terminating Impedance	
			dB	KHz (min.)	dB	KHz (max.)	dB (max.)	dB (max.)	dB	KHz	ohms // pF	Cc (pF)
21.400	21MQ7.5A	2	3	± 3.75	20	± 18	1.0	2.0	70	-910	850 // 6.0	
	21MQ15A	2	3	± 7.5	18	± 25	0.5	1.5	70	-910	1500 // 2.5	
	21MQ15B	4	3	± 7.5	40	± 25	1.0	3.0	70	-910	1800 // 0.35	5.0
	21MQ30A	2	3	± 15	15	± 50	1.5	2.0	60	-910	2500 // 0	
21.700	21.7MQ15A	2	3	± 7.5	18	± 28	1.0	2.0	70	-910	1500 // 2.5	
	21.7MQ15B	4	3	± 7.5	40	± 25	1.0	3.0	70	-910	1750 // 0.35	5.0
	21.7MQ30A	2	3	± 15	15	± 50	1.5	2.0	50	-910	2500 // 0	
45.000	45MQ7.5A	2	3	± 3.75	15	± 18	1.0	2.0	70	-910	350 // 6.0	
	45MQ7.5B	4	3	± 3.75	40	± 15	1.0	2.0	80	-910	300 // 5.0	16.0
	45MQ15A	2	3	± 7.5	15	± 25	1.0	4.0	70	-910	560 // 6.0	
	45MQ15B	4	3	± 7.5	30	± 25	1.0	3.0	80	-910	600 // 2.3	7.5
	45MQ30A	2	3	± 15	15	± 60	1.0	2.0	70	-910	1200 // 1.8	
	45MQ30B	4	3	± 15	30	± 40	1.0	3.0	70	-910	1200 // 1.0	2.5

(Operating Temperature Range : -20°C to +70°C ; Storage Temperature Range : -40°C to +85°C)

Part Number Format and Example

[1] Center Freq. Code M	[2] Package Q	[3] Band width	[4] Poles code
----------------------------	------------------	-------------------	-------------------

[1]	Freq. code : " 21 " for 21.400MHz , " 21.7 " for 21.700MHz , " 45 " for 45.000MHz ,	[2]	" Q " series for (7.0 * 5.0 * 1.3mm) package
[3]	Pass band width (3dB) (min.) * 2 [" 7.5 " for ± 3.75 KHz , " 15 " for ± 7.5 KHz , " 30 " for ± 15 KHz]		
[4]	No. of poles [" A " for 2 poles] [" B " for 4 poles]		



M. C. F. [Monolithic Crystal Filters]

Part Number Format and Example

SMD Type Part Number Format			
[1]	[2]	[3]	[4]
Frequency Code	MQ	Width Code	Poles Code

Examples	45	MQ	30	A
----------	----	----	----	---

Dip Type Part Number Format				
[1]	[2]	[3]	[4]	[5]
Frequency Code	M	Width Code	Poles Code	Holder Type

Examples	21.7	M	7.5	D	U5SM
----------	------	---	-----	---	------

[1]	Freq. code : " 10 " for 10.700MHz , " 21 " for 21.400MHz , " 21.7 " for 21.700MHz , " 45 " for 45.000MHz , Freq. code : If none standard freq. please show frequency with one decimal point .
[2]	" M " Dip Type series , " MQ " SMD Type (7.0 * 5.0 * 1.3 mm)
[3]	Pass band width (3dB) (min.) " 7.5 " for ± 3.75 KHz , " 15 " for ± 7.5 KHz , " 20 " for ± 10 KHz , " 30 " for ± 15 KHz ,
[4]	No. of poles " A " for 2 poles , " B " for 4 poles , " C " for 6 poles , " D " for 8 poles
[5]	Dip type holder type
[6]	Standard operating temperature range is -20°C to 70°C , If non-standard please enter the desired temp. range after " / " , for example " / -30+70 " : -30°C to 70°C

Package Dimensions (unit : mm)

